



Type(s)
Project
Date
Notes

GENERAL INFORMATION

Ion Xe is the compact workhorse of the Eos Family. With the same backlit keyboard layout and full-featured software as larger consoles in the family – Ion Xe gives you the complete Eos experience in a budget-friendly and portable package.

Eos Family software includes:

- Approachable yet powerful syntax for programmers of every level
- Industry-leading color control tools
- Magic Sheets for custom programming and displays
- Augment3d 3D programming and visualization environment
- Virtual Media Server function for pixel-mapping
- Timecode and automation integration
- Multi-user and multi-programmer working environment

For drawings, photos, and more, visit the [Ion Xe](http://ionxe.com) product webpage. To explore the latest software features, accessories, and other Eos Family products, visit etconnect.com/Eos.

ORDERING INFORMATION

ION XE

MODEL	DESCRIPTION	PART NUMBER
Ion Xe - 2K	Ion Xe console, 2,048 outputs (base)	4311A1011 *
Ion Xe - 12K	Ion Xe console, 12,288 outputs (maximum)	4311A1012 *
Ion Xe 10K Up	After-sale 10K output upgrade	4311A0060
Ion Xe 10K Initial Up	Ion Xe 10K initial output upgrade †	4311A0062
Ion Xe RPU - 2K	Ion Xe Remote Processor Unit, 2,048 outputs (base)	4311A1031 *
Ion Xe RPU - 12K	Ion Xe Remote Processor Unit, 12,288 outputs (maximum)	4311A1032 *
Ion Xe RPU 10K Up	Ion Xe RPU after-sale 10K output upgrade	4311A0061
Ion Xe RPU 10K Initial Up	Ion Xe RPU initial 10K output upgrade †	4311A0063

SHIPS WITH:

- One three-button scroll mouse and mousepad
- Alpha-numeric keyboard
- Locking regionalized IEC power cord
- Two active display port to DVI adapters
- One 18-inch LED gooseneck Littlite
- Augment3d AR target kit
- Dust cover

* Add -US for Edison, -EU for Schuko/UK13A, -AZ for Australian Type I

Consoles shipped after 2023-03 require Eos software v3.2.1 or higher

† Initial upgrade sold in some markets as an alternative to 4311A1012 / 4311A1032

All models are available without wireless radios (WiFi and Bluetooth). Please contact ETC for ordering information.



ORDERING INFORMATION

ION XE ACCESSORIES

MODEL	DESCRIPTION	PART NUMBER
Eos MFW 10	Eos Motorized Fader Wing 10	4240A1021 *
Eos MFW 20	Eos Motorized Fader Wing 20	4240A1022 *
Eos FW 20	Eos Standard Fader Wing 20	4240A1023 *
Eos FW 40	Eos Standard Fader Wing 40	4240A1024 *
Net3 RV13	Remote Video Interface	4250A1130 *
ETC Puck Base	ETC Puck, 1,024 outputs (base)	4380A1133
ETCnomad Base	Client Software Key Kit	4380A1011
Ion Xe FC	Ion Xe Flight Case	11916

* Add -US for Edison, -EU for Schuko/UK13A, -AZ for Australian Type I

SPECIFICATIONS

HARDWARE AND INTERFACES

- Supports two external display port monitors (1920x1080 minimum, 3840x2160 maximum), with optional single-touch or multi-touch screen control and DDC/CI support
- Main Playback with two 100 mm standard faders
- Four encoders for non-intensity parameter control
- Dedicated high-resolution intensity level wheel
- Backlit Eos keypad
- Included USB keyboard
- Solid-state hard drive
- IEC power input (100–240 VAC at 50/60 Hz), fused mains power switch, locking regionalized power cable included
- Two individually configurable Gigabit Ethernet ports, RJ45 connectors
- One 802.11ac WiFi Ethernet adapter (to be enabled with future software)
- Bluetooth 5.1 for connecting input accessories (to be enabled with future software)
- sACN and Art-Net network output protocols
- Four DMX-512 / RDM 5-pin XLR ports
- Contact closure triggers via D-Sub connector
- USB 3.1 ports, for flash drives, pointing devices, keyboards (5 USB-A ports, 2 USB-C ports)
- One Littlite XLR port
- One Kensington lock port
- Multiple MIDI and/or SMPTE timecode inputs, MIDI In and Out, Analog/Serial Inputs, OSC transmit/receive, UDP transmit/receive through network interface or Response Gateways

ELECTRICAL AND THERMAL

- Power consumption approximately 2 A at 120 V or 230/240 V
- Ambient room temperature 0°C to 35°C (32°F to 95°F)
- Ambient humidity up to 90% non-condensing

REGULATORY AND COMPLIANCE

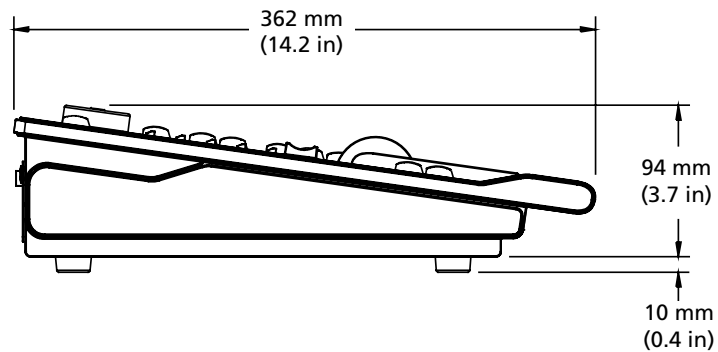
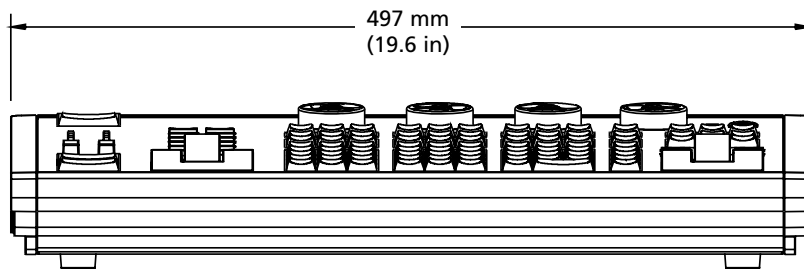
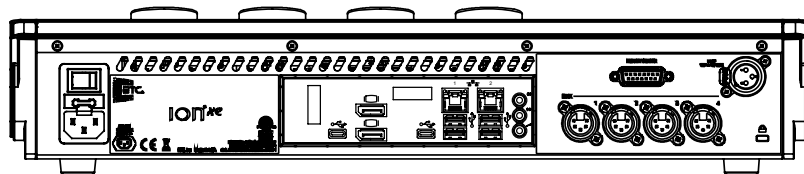
- CE Compliant
- cETLus listed
- UKCA marked
- FCC compliant
- RoHS compliant
- WEEE

PHYSICAL

Ion Xe Dimensions and Weights*

MODEL	HEIGHT		WIDTH		DEPTH		WEIGHT	
	mm	in	mm	in	mm	in	kg	lb
Ion Xe	107	4.2	497	19.6	362	14.2	5.8	12.7
Ion Xe in shipping container	197	7.8	679	26.8	470	18.5	8.5	18.7
Ion Xe in flight case	320	12.5	803	31.6	521	20.5	18.6	41.0

* Dimensions and weights typical



Corporate Headquarters • Middleton, WI USA
 Global Offices • London, UK • Rome, IT • Holzkirchen, DE • Paris, FR • Hong Kong
 Dubai, UAE • Singapore • New York, NY • Orlando, FL • Los Angeles, CA • Austin, TX
 ©2024 ETC. All Rights Reserved. All product information and specifications subject to change. Rev E 2024-05
 *Trademark and patent info: etconnect.com/IP • Third-party license agreement info: etconnect.com/licenses