

USER MANUAL
OVATION
F-415VW



Edition Notes

The Ovation F-415VW User Manual includes a description, safety precautions, installation, programming, operation and maintenance instructions for the Ovation F-415VW.

Trademarks

CHAUVET, the Chauvet logo and Ovation F-415VW are registered trademarks or trademarks of Chauvet & Sons, LLC (d/b/a Chauvet and Chauvet Lighting) in the United States and other countries. Other company and product names and logos referred to herein may be trademarks of their respective companies.

Copyright Notice

The works of authorship contained in this manual, including, but not limited to, all design, text and images are owned by Chauvet.

© **Copyright 2021 Chauvet & Sons, LLC. All rights reserved.**

Electronically published by Chauvet in the United States of America.

Manual Use

Chauvet authorizes its customers to download and print this manual for professional information purposes only. Chauvet expressly prohibits the usage, copy, storage, distribution, modification, or printing of this manual or its content for any other purpose without written consent from Chauvet.

Document Printing

For best results, print this document in color, on letter size paper (8.5 x 11 in), double-sided. If using A4 paper (210 x 297 mm), configure the printer to scale the content accordingly.

Intended Audience

Any person installing, operating, and/or maintaining this product should completely read through the guide that shipped with the product, as well as this manual, before installing, operating, or maintaining this product.

Disclaimer

Chauvet believes that the information contained in this manual is accurate in all respects. However, Chauvet assumes no responsibility and specifically disclaims any and all liability to any party for any loss, damage or disruption caused by any errors or omissions in this document, whether such errors or omissions result from negligence, accident or any other cause. Chauvet reserves the right to revise the content of this document without any obligation to notify any person or company of such revision, however, Chauvet has no obligation to make, and does not commit to make, any such revisions. Download the latest version from www.chauvetprofessional.com.

Document Revision

This Ovation F-415VW User Manual is the 6th edition of this document. Go to www.chauvetprofessional.com for the latest version.

TABLE OF CONTENTS

1. Before You Begin	1
What Is Included	1
Claims	1
Manual Conventions	1
Symbols	1
Safety Notes.....	2
Personal Safety.....	2
Mounting and Rigging	2
Power and Wiring.....	2
Operation	2
Expected LED Lifespan.....	2
2. Introduction	3
Description	3
Features.....	3
Product Overview.....	4
Product Dimensions.....	4
3. Setup	5
AC Power.....	5
AC Plug.....	5
Power Linking.....	5
Fuse Replacement.....	5
DMX Linking.....	5
DMX Personalities.....	5
Remote Device Management (RDM).....	5
Master/Slave Connectivity.....	6
Mounting	6
Orientation.....	6
Rigging.....	6
Procedure.....	6
4. Operation	7
Control Panel Operation.....	7
Control Options	7
Programming.....	7
Configuration (DMX)	7
DMX Personalities.....	7
Starting Address.....	7
Menu Map	8
Color Temperature DMX Chart	10
Configuration (Standalone)	11
Static Mode	11
Zoom.....	11
Red Shift	11
Master/Slave	11
Dimmer Curve.....	11
Dimmer Profiles.....	11
White Balance	12
LED Frequency	12
Fan Mode.....	12
Back Light	12
System Information	12
Zoom Reset.....	12
Factory Reset.....	12

DMX Values	13
19Ch.....	13
16Ch.....	14
13Ch.....	14
9Ch.....	15
6Ch.....	15
7Ch.....	15
4Ch.....	15
1Ch.....	15
5. Technical Information	16
Product Maintenance	16
6. Technical Specifications	17
7. Returns.....	18
8. Contact Us	19

1. Before You Begin

What Is Included

- Ovation F-415VW
- Neutrik® powerCON® power cord
- Gel frame holder (6.25 in/159 mm accessories)
- Quick Reference Guide

Claims

Carefully unpack the product immediately and check the container to make sure all the parts are in the package and are in good condition.





If the box or the contents (the product and included accessories) appear damaged from shipping, or show signs of mishandling, notify the carrier immediately, not Chauvet. Failure to report damage to the carrier immediately may invalidate customer’s claim. In addition, keep the box and contents for inspection.

For other issues, such as missing components or parts, damage not related to shipping, or concealed damage, file a claim with Chauvet within 7 days of delivery.

Manual Conventions

Convention	Meaning
1–512	A range of values
50/60	A set of values of which only one can be chosen
<SET>	A button on the product’s control panel
Settings	A product function or a menu option

Symbols

Symbol	Meaning
	Electrical warning. Not following these instructions may cause electrical damage to the product, accessories, or the user.
	Critical installation, configuration, or operation information. Not following these instructions may make the product not work, cause damage to the product, or cause harm to the operator.
	Important installation or configuration information. The product may not function correctly if this information is not used.
	Useful information.



The term “DMX” used throughout this manual refers to the USITT DMX512-A digital data transmission protocol.

FCC Compliance

This device complies with Part 15 Part B of the FCC Rules. Operation is subject to the following two conditions:

1. This device may not cause harmful interference, and
2. This device must accept any interference received, including interference that may cause undesired operation.

Any changes or modifications not expressly approved by the party responsible for compliance could void the user’s authority to operate the equipment.

Safety Notes

Read all the following safety notes before working with this product. These notes contain important information about the installation, usage, and maintenance of this product.



This product contains no user-serviceable parts. Any reference to servicing in this User Manual will only apply to properly trained, certified technicians. Do not open the housing or attempt any repairs.



All applicable local codes and regulations apply to proper installation of this product.

Personal Safety

- Avoid direct eye exposure to the light source while the product is on.
- Always disconnect the product from the power source before cleaning or replacing the fuse.
- Always connect the product to a grounded circuit to avoid the risk of electrocution.
- Do not touch the product's housing when operating because it may be very hot.

Mounting and Rigging

- Do not operate this product outdoors or in any location where dust, excessive heat, water, or humidity may affect it (IP20).
- Do not leave any flammable material within 50 cm of this product while operating or connected to power.
- CAUTION: When transferring product from extreme temperature environments, (e.g., cold truck to warm, humid ballroom) condensation may form on the internal electronics of the product. To avoid causing a failure, allow product to fully acclimate to the surrounding environment before connecting it to power.
- Mount this product in a location with adequate ventilation, at least 20 in (50 cm) from adjacent surfaces.
- When hanging this product, always secure to a fastening device using a safety cable.
- Use only the hanging/mounting bracket to carry this product.

Power and Wiring

- Always ensure that the product is connected to proper voltage in accordance with the specifications in this manual or on the product's specification label.
- Never connect the product to a dimmer pack or rheostat.
- Never disconnect this product by pulling or tugging on the power cable.

Operation

- Do not operate this product if there is damage on the housing, lenses, or cables. Have the damaged parts replaced by an authorized technician at once.
- Do not cover the ventilation slots when operating to avoid internal overheating.
- The maximum ambient temperature is 113 °F (45 °C). Do not operate the product at higher temperatures.
- The minimum startup temperature is -4°F (-20°C). Do not start the product at lower temperatures.
- The minimum ambient temperature is -22°F (-30°C). Do not operate the product at lower temperatures.
- In the event of a serious operation problem, stop using this product immediately!



If your Chauvet product requires service, contact Chauvet Technical Support.

Expected LED Lifespan

LEDs gradually decline in brightness over time, primarily because of heat. LEDs that are arranged in clusters experience higher operating temperatures than single LEDs. For this reason, operating clustered LEDs at their fullest intensity significantly reduces the LEDs' lifespan. Under normal conditions, this lifespan is 40,000 to 50,000 hours. If extending this lifespan is vital, lower the operating temperature by improving the ventilation around the product, thus reducing the ambient temperature. In addition, limiting the overall projection intensity may extend the LEDs' lifespan.

2. Introduction

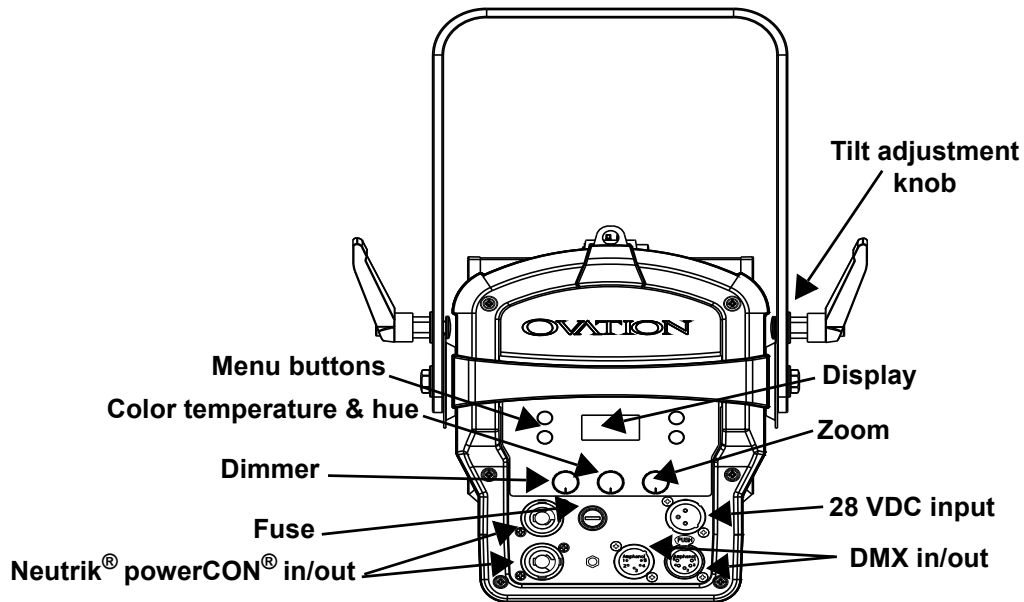
Description

The Ovation F-415VW is a variable white Fresnel-style LED lighting fixture with a 16-bit dimming resolution for smooth fades. It delivers a beautiful flat, even field of light. Its motorized zoom, with a range between 14° and 68°, can be controlled either manually or via DMX. Simple and complex DMX channel profiles offer programming versatility. Virtually silent operation makes it ideal for use in any situation.

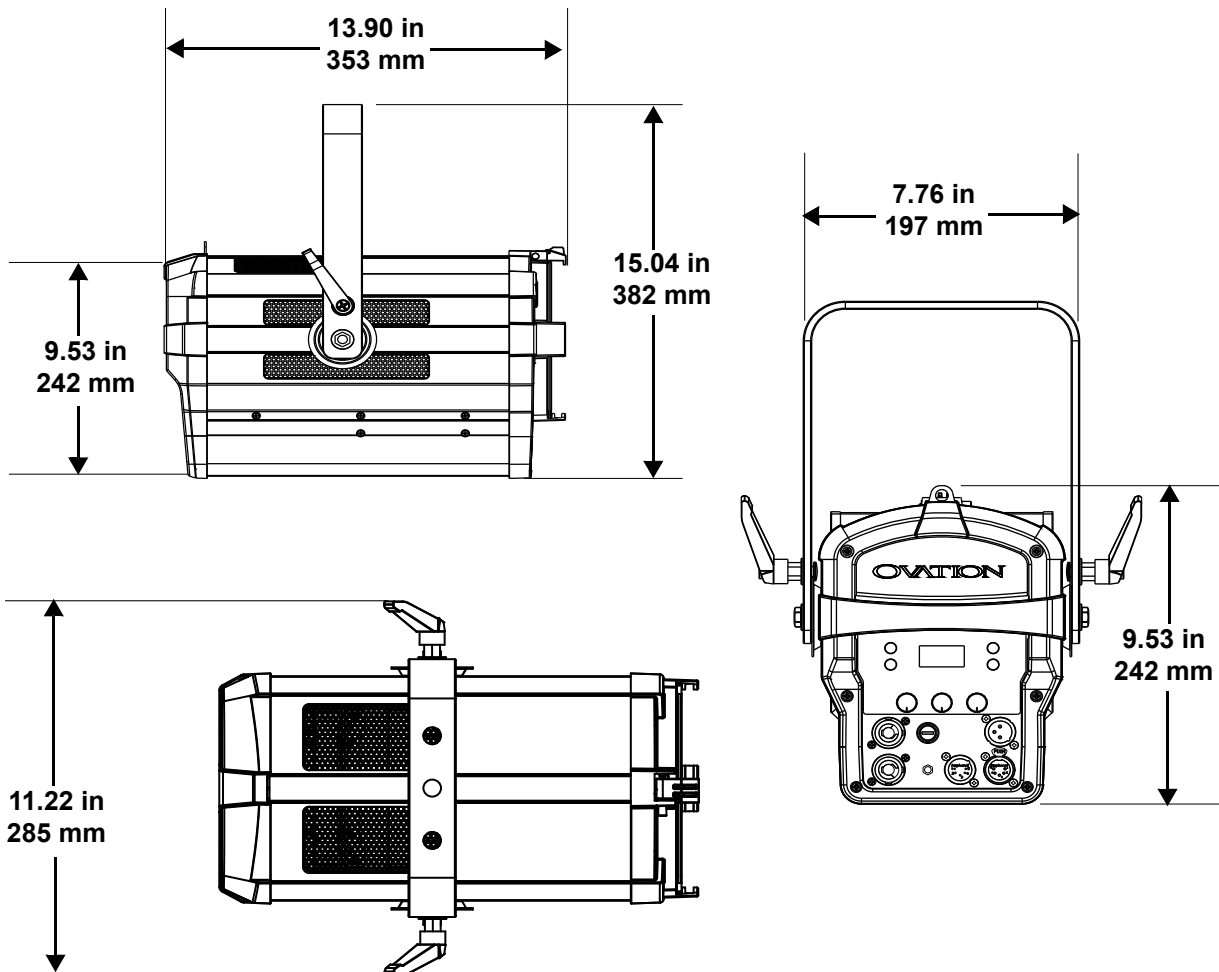
Features

- Operating modes:
 - 1-channel: dimmer
 - 4-channel: dimmer, color temperature, hue, zoom
 - 6-channel: dimmer, 16-bit dimmer, color temperature, hue, zoom, strobe
 - 7-channel: red, orange, green, royal blue, blue, lime, zoom
 - 9-channel: dimmer, red, orange, green, royal blue, blue, lime, strobe, zoom
 - 13-channel: dimmer, red, orange, green, royal blue, blue, lime, strobe, color temperature, hue, control, zoom, motor reset
 - 16-channel: dimmer, 16-bit dimmer, 16-bit red, orange, green, royal blue, blue, and lime, strobe, zoom
 - 19-channel: dimmer, 16-bit dimmer, 16-bit red, orange, green, royal blue, blue, and lime, strobe, color temperature, hue, zoom, control
- Variable white LED Fresnel fixture for theater, film, and production
- Soft and even field of light
- Smooth, motorized zoom from 14° and 68°
- Color temperature presets from 2800 K to 8000 K with high CRI and CQS
- 28 VDC power input via 3-pin XLR to power the fixture from an external battery pack
- Beautiful 16-bit dimming
- Proprietary LED engine delivers tremendous, equal output at all color temperatures
- Easy-to-use on-board control of color temperature, zoom, and dimming
- +/- green adjustment via DMX or on-board control
- Independent color control over the six-color engine when a splash of color is needed
- RDM (Remote Device Management) for added flexibility
- Adjustable PWM (Pulse Width Modulation) to avoid flickering on camera
- Virtually silent operation for use in studio and theater applications

Product Overview



Product Dimensions



3. Setup

AC Power

Each Ovation F-415VW has an auto-ranging power supply that works with an input voltage range of 100 to 240 VAC, 50/60 Hz. To determine the power requirements for each Ovation F-415VW, refer to the label affixed to the product or to the [Technical Specifications](#) chart in this manual.

The listed current rating indicates the maximum current draw during normal operation. For more information, download Sizing Circuit Breakers from the Chauvet website: www.chauvetprofessional.com.



- **Always connect the product to a protected circuit (a circuit breaker or fuse). Make sure the product has an appropriate electrical ground to avoid the risk of electrocution or fire.**
- **To eliminate unnecessary wear and improve its lifespan, during periods of non-use completely disconnect the product from power via breaker or by unplugging it.**



Never connect the product to a rheostat (variable resistor) or dimmer circuit, even if the rheostat or dimmer channel serves only as a 0 to 100% switch.

AC Plug

The Ovation F-415VW comes with a power input cord terminated with a Neutrik® powerCON® connector on one end and an Edison plug on the other end (U.S. market). If the power input cord that came with the product has no plug, or if the plug needs to be changed, use the table below to wire the new plug.

Connection	Wire (U.S.)	Wire (Europe)	Screw Color
AC Live	Black	Brown	Yellow or Brass
AC Neutral	White	Blue	Silver
AC Ground	Green/Yellow	Green/Yellow	Green

Power Linking

The product supports power linking. It is possible to power link up to 12 products at 120 V, up to 21 products at 208 V, or up to 23 products at 230 V. This product comes with a power input cord. Power-linking cables are available for purchase from Chauvet.

Fuse Replacement

1. Disconnect this product from the power outlet.
2. Using a Phillips #2 head screwdriver, unscrew the fuse holder cap from the housing.
3. Remove the blown fuse and replace with another fuse of the same type and rating (T 3.15 A, 250 V).
4. Screw the fuse holder cap back in place and reconnect power.



Make sure to disconnect the product's power cord before replacing a blown fuse. Always replace the blown fuse with another of the same type and rating.

DMX Linking

The Ovation F-415VW can be linked to a DMX controller using a 5-pin DMX connection. If using other DMX-compatible products with this product, it is possible to control each individually with a single DMX controller.

DMX Personalities

The Ovation F-415VW uses a 5-pin DMX data connection for the **1Ch, 4Ch, 6Ch, 7Ch, 9Ch, 13Ch, 16Ch,** and **19Ch** DMX personalities.

- Refer to the [Introduction](#) for a brief description of each DMX personality.
- Refer to the [Operation](#) chapter to learn how to configure the Ovation F-415VW to work in these personalities.
- The [DMX Values](#) section provides detailed information regarding the DMX personalities.



For information about DMX standards, Master/Slave connectivity, or the DMX cables needed to link this product to a DMX controller, download the DMX Primer from the Chauvet website: www.chauvetprofessional.com.

Remote Device Management (RDM)

Remote Device Management, or RDM, is a standard for allowing DMX-enabled devices to communicate bi-directionally along existing DMX cabling. Check the DMX controller's User Manual or with the manufacturer, as not all DMX controllers have this capability. The Ovation F-415VW supports RDM protocol that allows feedback to make changes to menu map options.

Master/Slave Connectivity

The Master/Slave mode allows an Ovation F-415VW (the master) to control one or more Ovation F-415VW products (the slaves) without a DMX controller. One Ovation F-415VW becomes the master when running an auto or custom program, or by being in a Static mode.

Each slave's control panel must be configured to operate in Slave mode. During Master/Slave operation, the slaves will operate in unison with the master.



DO NOT connect a DMX controller to products operating in Master/Slave mode. The DMX controller signals may interfere with the signals from the master.



- The [Operation](#) section of this manual provides detailed instructions on how to configure the master and slaves.
- For more information about DMX standards or the DMX cables needed to link this product to a DMX controller, download the DMX primer from the Chauvet website: www.chauvetprofessional.com.

Mounting

Before mounting the product, read and follow the safety recommendations indicated in the [Safety Notes](#). For CHAUVET Professional line of mounting clamps, go to: <http://trusst.com/products/>.

Orientation

Always mount this product in a safe position, ensuring that there is adequate room for ventilation, configuration, and maintenance.

Rigging

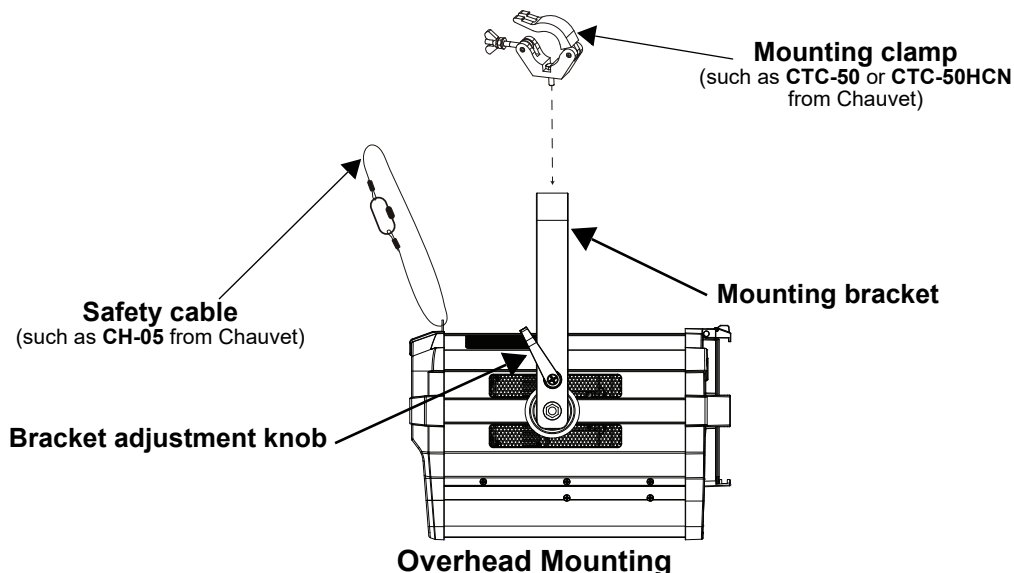
Chauvet recommends using the following general guidelines when mounting this product:

- Before deciding on a location for the product, make sure there is easy access to the product for maintenance and programming purposes.
- Make sure that the structure onto which the product will be mounted can support the product's weight. See the [Technical Specifications](#) for weight information.
- When mounting the product overhead, always use a safety cable. Mount the product securely to a rigging point, whether an elevated platform or a truss.
- When rigging the product onto a truss, use a mounting clamp of appropriate weight capacity.
- When power linking multiple products, mount the products close enough for power-linking cables to reach.
- The bracket adjustment knobs allow for directional adjustment when aiming the product to the desired angle. Only loosen or tighten the bracket knobs manually. Using tools could damage the knobs.

Procedure

The Ovation F-415VW comes with a double-bracketed yoke that can be used as a floor stand or to which mounting clamps can be attached for hanging. Mounting clamps must be purchased separately. Ensure that the clamps can support the weight of this product. Use at least one mounting point per product where necessary.

Mounting Diagram



4. Operation

Control Panel Operation

Button	Function
<MENU>	Exits from the current menu or function
<ENTER>	Enables the currently displayed menu or sets the currently selected value in to the current function
<UP>	Navigates upward through the menu list or increases the numeric value when in a function
<DOWN>	Navigates downward through the menu list or decreases the numeric value when in a function
<Color Temperature & Hue>	Push twice, then turn to select the color temperature. Push again, then turn to set the hue
<Dimmer>	Push twice, then turn to increase or decrease the dimmer
<Zoom>	Push twice, then turn to increase or decrease the zoom

Control Options

Set the Ovation F-415VW starting address in the 001-512 DMX range. This enables control of up to 23 products in the 19-channel personality.

Programming

Refer to the [Menu Map](#) to understand the menu options. The menu map shows the main level and a variable number of programming levels for each option.

- To go to the desired main level, press <MENU> repeatedly until the option shows on the display. Press <ENTER> to select. This will show the first programming level for that option.
- To select an option or value within the current programming level, press <UP> or <DOWN> until the option shows on the display. Press <ENTER> to select. This will show either the first option if there is another programming level, or the selected value.
- Press <MENU> repeatedly to exit to the previous main level.

Configuration (DMX)

Use DMX configurations to operate the product with a DMX controller.

DMX Personalities

This setting allows the user to choose a particular DMX personality.

1. Go to the **DMX Channel** main level.
2. Select the desired personality (**1Ch, 4Ch, 6Ch, 7Ch, 9Ch, 13Ch, 16Ch, and 19Ch**).



- See the [Starting Address](#) section for the highest starting address suggested for each personality.
- Make sure that the starting addresses on the various products do not overlap due to the new personality setting.

Starting Address

In this mode, each product will respond to a unique starting address from the DMX controller. All products with the same starting address will respond in unison.

1. Go to the **DMX Address** main level.
2. Set the starting address (**001–512**).

The highest recommended starting address for each DMX mode is as follows:

DMX Personality	DMX Address	DMX Personality	DMX Address
1Ch	512	9Ch	504
4Ch	509	13Ch	500
6Ch	507	16Ch	497
7Ch	506	19Ch	494

Menu Map

Main Level	Programming Levels	Description
DMX Address	001–512*	Selects DMX address (*highest channel restricted to personality chosen)
	1Ch	1-channel: dimmer
DMX Channel	4Ch	4-channel: dimmer, color temperature, hue, zoom
	6Ch	6-channel: 16-bit dimmer, color temperature, hue, zoom, strobe
	7Ch	7-channel: red, orange, green, royal blue, blue, lime, zoom
	9Ch	9-channel: dimmer, red, orange, green, royal blue, blue, lime, strobe, zoom
	13Ch	13-channel: dimmer, red, orange, green, royal blue, blue, lime, strobe, color temperature, hue, control, zoom, motor reset
	16Ch	16-channel: 16-bit dimmer, 16-bit red, orange, green, royal blue, blue, and lime, strobe, zoom
	19Ch	19-channel: 16-bit dimmer, 16-bit red, orange, green, royal blue, blue, and lime, strobe, color temperature, hue, zoom, control

Main Level	Programming Levels			Description	
Static	Color Temperature	2800K 2900K 3000K 3100K 3200K 3300K 3400K 3500K 3600K 3700K 3800K 3900K 4000K 4100K 4200K	Dimmer	0–255	Sets the color temperature, dimmer, and hue (green/magenta) levels. Emulates a tungsten lamp at the specified color temperature. Refer to the Color Temperature DMX Chart for specific values.
		4300K 4400K 4500K 4600K 4700K 4800K 4900K 5000K 5100K 5200K 5300K 5400K 5500K 5600K 5700K 6000K 6500K 7000K 7500K 8000K	Hue	-25–25	
	Manual Color Mixer	Red Orange Green Royal Blue Blue Lime		0–255	Combines red, orange, green, royal blue, blue, and lime to make a custom color (0–100%)
Zoom		0–255			Controls zoom
Red Shift		On			Mimics halogen lamp dimming
		Off			
Master/ Slave		Master			Receives DMX signal from the DMX controller (master)
		Slave			Receives DMX signal from the master unit
Dimmer Curve		S-Curve Linear Square Inverse Square			Sets the dimmer curve
Dimmer Mode		Off			Linear dimmer
		Dimmer 1–3			Dimming curves, from fast (Dimmer 1) to slow (Dimmer 3)

Main Level	Programming Levels		Description
White Balance	Manual	Off	Uses factory default white setting
		Red	Sets red LED maximum value
		Orange	Sets orange LED maximum value
		Green	Sets green LED maximum value
		Royal Blue	Sets royal blue LED maximum value
		Blue	Sets blue LED maximum value
		Lime	Sets lime LED maximum value
LED Frequency	600Hz 1200Hz 2000Hz 4000Hz 6000Hz 25KHz		Sets the PWM frequency
Fan Mode	Auto		Sets the fan to auto mode
	On		Sets the fan to always on
	Off		Sets the fan to always off
	Silent		Sets the fan to silent
Back Light	10S		Turns off display backlight after 10 seconds of inactivity
	30S		Turns off display backlight after 30 seconds of inactivity
	2Min		Turns off display backlight after 2 minutes of inactivity
	Always On		Display backlight always on
Information	Fixture Hours	----_H	Shows total hours the product has been powered on
	LED Hours	----_H	Shows the total LED hours
	Version	V_._	Shows current firmware version
	UID	-----	Shows product UID
Reset Zoom w/ Power	No		Resets zoom settings when product is turned off
	Yes		
Factory Reset	No		Resets the product to factory default settings
	Yes		

Color Temperature DMX Chart

DMX Channel Value	Color Temperature	DMX Channel Value	Color Temperature	DMX Channel Value	Color Temperature
000 ⇔ 005	No function	084 ⇔ 090	3900–4000K	168 ⇔ 174	5100–5200K
006 ⇔ 013	2800–2900K	091 ⇔ 097	4000–4100K	175 ⇔ 181	5200–5300K
014 ⇔ 020	2900–3000K	098 ⇔ 104	4100–4200K	182 ⇔ 188	5300–5400K
021 ⇔ 027	3000–3100K	105 ⇔ 111	4200–4300K	189 ⇔ 195	5400–5500K
028 ⇔ 034	3100–3200K	112 ⇔ 118	4300–4400K	196 ⇔ 202	5500–5600K
035 ⇔ 041	3200–3300K	119 ⇔ 125	4400–4500K	203 ⇔ 209	5600–5700K
042 ⇔ 048	3300–3400K	126 ⇔ 132	4500–4600K	210 ⇔ 216	5700–6000K
049 ⇔ 055	3400–3500K	133 ⇔ 139	4600–4700K	217 ⇔ 223	6000–6500K
056 ⇔ 062	3500–3600K	140 ⇔ 146	4700–4800K	224 ⇔ 230	6500–7000K
063 ⇔ 069	3600–3700K	147 ⇔ 153	4800–4900K	231 ⇔ 237	7000–7500K
070 ⇔ 076	3700–3800K	154 ⇔ 160	4900–5000K	238 ⇔ 244	7500–8000K
077 ⇔ 083	3800–3900K	161 ⇔ 167	5000–5100K	245 ⇔ 255	8000K

Configuration (Standalone)

Use standalone configuration to operate the product without a DMX controller.

Static Mode

The Static mode allows for an unchanging color without a DMX controller.

Color Temperature

To select a color temperature, do the following:

1. Go to the **Static** main level.
2. Select **Color Temperature**.
3. Select the desired color temperature (see [Color Temperature DMX Chart](#)).
4. Select the desired output level (**0–255**).

Manual Color Mixer

To do color mixing without a DMX controller, follow the instructions below:

1. Go to the **Static** main level.
2. Select **Manual Color Mixer**.
3. Select the color to edit (**Red, Orange, Green, Royal Blue, Blue, or Lime Green**).
4. Select the desired output level for that color (**0–255**).
5. Repeat steps 3 and 4 until product outputs as desired.

Zoom

The zoom setting allows standalone control of the motorized zoom. To adjust, do the following:

1. Go to the **Zoom** main level.
2. Select the desired zoom level (**0–255**).

Red Shift

The Red Shift function causes the amber LEDs to imitate the appearance of a halogen lamp when dimming.

To adjust the Red Shift function, do the following:

1. Go to the **Red Shift** main level.
2. Select **On** or **Off**.

Master/Slave

The Master/Slave mode allows a group of Ovation F-415VW products (the slaves) to simultaneously duplicate the output of another Ovation F-415VW (the master) without a DMX controller.

To set each of the slaves:

1. Go to the **Master/Slave** main level
2. Select **Slave**.

To set the master:

1. Go to the **Master/Slave** main level
2. Select **Master**.
3. Select a static setting.



- **The master is the one that runs a program whether in Auto or Static mode.**
- **Do not connect a DMX controller to the products configured for Master/Slave operation. The DMX controller may interfere with signals from the master.**
- **The master should be the first product in the daisy chain.**

Dimmer Curve

To set the dimmer curve, follow the instructions below:

1. Go to the **Dimmer Curve** main level.
2. Select the desired option (**Linear, Square, I Squa, or SCurve**).

Dimmer Profiles

This setting determines how fast the output of the Ovation F-415VW changes when the output value is modified. It provides four different options to simulate the dimming curve of an incandescent lighting product.

To select a specific dimmer profile, do the following:

1. Go to the **Dimmer Mode** main level.
2. Select a dimmer curve (**Off, Dimmer 1, Dimmer 2, or Dimmer 3**).



- **Off:** The output is proportional (linear) to the dimmer channel value.
- **Dimmer 1-3:** The output follows the dimmer value based on the corresponding dimmer curve, **Dimmer 1** being the fastest.

White Balance

This setting determines the maximum output values for each color, which affects the appearance of a full output white.

1. Go to the **White Balance** main level.
2. Select **Off** (the product will use a default setting) or **Manual**.
3. For **Manual** mode, select the color value to edit (**Red, Orange, Green, Royal Blue, Blue, or Lime**).
4. Set the maximum value for the selected color (**125–255**).
5. Repeat steps 3 and 4 until the product outputs as desired.

LED Frequency

This option changes the Pulse Width Modulation (PWM) frequency of the LEDs on the Ovation F-415VW. To do so, follow the instructions below:

1. Go to the **LED Frequency** main level.
2. Select PWM Frequency (**600Hz, 1200Hz, 2000Hz, 4000Hz, 6000Hz, or 25Khz**).

Fan Mode

This setting determines how the fan speed on the Ovation F-415VW is set.

1. Go to the **Fan Mode** main level
2. Select **Auto** (fan speed will increase or decrease based on product temperature), **Off** (fan will stay off. Product output will decrease based on product temperature), **Silent** (fan will maintain a constant silent speed), or **On** (fan speed will always be at maximum).



NOTICE: When operating in Fan Mode: Off, the output of the fixture will be reduced and will not reach the same levels as when using other fan modes.



WARNING: When operating in Fan Mode: Off, the fixture will become hotter to the touch than when using other fan modes. Use proper protective equipment to prevent burns. Keep a safe distance from flammable objects.

Back Light

This setting allows for selection of the amount of time the backlight on the Ovation F-415VW's display stays on after the last button is pressed on the control panel.

1. Go to the **Back Light** main level.
2. Select **10S** (10 seconds), **30S** (20 seconds), **2Min** (2 minutes), or **Always On** (remains on).

System Information

This option displays the total number of hours the product has run, the installed software version, and the product's UID.

1. Go to the **Information** main level.
2. Select **Fixture Hours, LED Hours, Version, or UID**.

Zoom Reset

This setting determines whether the zoom resets when power is applied to the Ovation F-415VW.

1. Go to the **Reset Zoom w/ Power** main level.
2. Select **No** (zoom stays in last command position when product is turned off) or **Yes** (zoom resets when product is turned on).

Factory Reset

This option restores the Ovation F-415VW to factory default settings.

1. Go to the **Factory Reset** main level.
2. Select **No** or **Yes**.

DMX Values

19Ch

Channel	Function	Value	Percent/Setting
1	Dimmer	000 ⇔ 255	0–100%
2	Dimmer fine	000 ⇔ 255	0–100%
3	Red	000 ⇔ 255	0–100%
4	Red fine	000 ⇔ 255	0–100%
5	Orange	000 ⇔ 255	0–100%
6	Orange fine	000 ⇔ 255	0–100%
7	Green	000 ⇔ 255	0–100%
8	Green fine	000 ⇔ 255	0–100%
9	Royal blue	000 ⇔ 255	0–100%
10	Royal blue fine	000 ⇔ 255	0–100%
11	Blue	000 ⇔ 255	0–100%
12	Blue fine	000 ⇔ 255	0–100%
13	Lime	000 ⇔ 255	0–100%
14	Lime fine	000 ⇔ 255	0–100%
15	Strobe	000 ⇔ 010 011 ⇔ 255	No function Strobe, slow to fast
16	Color temperature	000 ⇔ 255	Refer to Color Temperature DMX Chart
17	Hue	000 ⇔ 255	-25–25
18	Zoom	000 ⇔ 255	Narrow to wide
19	Control (Hold for 3 seconds, then release)	000 ⇔ 007 008 ⇔ 015 016 ⇔ 023 024 ⇔ 031 032 ⇔ 039 040 ⇔ 047 048 ⇔ 055 056 ⇔ 063 064 ⇔ 071 072 ⇔ 079 080 ⇔ 087 088 ⇔ 095 096 ⇔ 103 104 ⇔ 111 112 ⇔ 119 120 ⇔ 127 128 ⇔ 255	No function Dimmer reset Red shift on Red shift off Dimmer: S-Curve Dimmer: linear Dimmer: square Dimmer: inverse square Dimmer speed mode off Dimmer speed mode 1 Dimmer speed mode 2 Dimmer speed mode 3 Fan auto Fan on Fan off Fan silent No function (reserved)

16Ch

Channel	Function	Value	Percent/Setting
1	Dimmer	000 ⇔ 255	0–100%
2	Dimmer fine	000 ⇔ 255	0–100%
3	Red	000 ⇔ 255	0–100%
4	Red fine	000 ⇔ 255	0–100%
5	Orange	000 ⇔ 255	0–100%
6	Orange fine	000 ⇔ 255	0–100%
7	Green	000 ⇔ 255	0–100%
8	Green fine	000 ⇔ 255	0–100%
9	Royal blue	000 ⇔ 255	0–100%
10	Royal blue fine	000 ⇔ 255	0–100%
11	Blue	000 ⇔ 255	0–100%
12	Blue fine	000 ⇔ 255	0–100%
13	Lime	000 ⇔ 255	0–100%
14	Lime fine	000 ⇔ 255	0–100%
15	Strobe	000 ⇔ 010 011 ⇔ 255	No function Strobe, slow to fast
16	Zoom	000 ⇔ 255	Narrow to wide

13Ch

Channel	Function	Value	Percent/Setting
1	Dimmer	000 ⇔ 255	0–100%
2	Red	000 ⇔ 255	0–100%
3	Orange	000 ⇔ 255	0–100%
4	Green	000 ⇔ 255	0–100%
5	Royal blue	000 ⇔ 255	0–100%
6	Blue	000 ⇔ 255	0–100%
7	Lime	000 ⇔ 255	0–100%
8	Strobe	000 ⇔ 010 011 ⇔ 255	No function Strobe, slow to fast
9	Color temperature	000 ⇔ 255	Refer to Color Temperature DMX Chart
10	Hue	000 ⇔ 255	-25–25
11	Control (Hold for 3 seconds, then release)	000 ⇔ 007 008 ⇔ 015 016 ⇔ 023 024 ⇔ 031 032 ⇔ 039 040 ⇔ 047 048 ⇔ 055 056 ⇔ 063 064 ⇔ 071 072 ⇔ 079 080 ⇔ 087 088 ⇔ 095 096 ⇔ 103 104 ⇔ 111 112 ⇔ 119 120 ⇔ 127 128 ⇔ 255	No function Dimmer reset Red shift on Red shift off Dimmer: S-Curve Dimmer: linear Dimmer: square Dimmer: inverse square Dimmer speed mode off Dimmer speed mode 1 Dimmer speed mode 2 Dimmer speed mode 3 Fan auto Fan on Fan off Fan silent No function (reserved)
12	Zoom	000 ⇔ 255	Narrow to wide
13	Motor reset	000 ⇔ 200 201 ⇔ 220 221 ⇔ 255	No function Motor reset No function

OPERATION

9Ch

Channel	Function	Value	Percent/Setting
1	Dimmer	000 ⇔ 255	0–100%
2	Red	000 ⇔ 255	0–100%
3	Orange	000 ⇔ 255	0–100%
4	Green	000 ⇔ 255	0–100%
5	Royal blue	000 ⇔ 255	0–100%
6	Blue	000 ⇔ 255	0–100%
7	Lime	000 ⇔ 255	0–100%
8	Strobe	000 ⇔ 010 011 ⇔ 255	No function Strobe, slow to fast
9	Zoom	000 ⇔ 255	Narrow to wide

6Ch

Channel	Function	Value	Percent/Setting
1	Dimmer	000 ⇔ 255	0–100%
2	Dimmer fine	000 ⇔ 255	0–100%
3	Color temperature	000 ⇔ 255	Refer to Color Temperature DMX Chart
4	Hue	000 ⇔ 255	-25–25
5	Zoom	000 ⇔ 255	Narrow to wide
6	Strobe	000 ⇔ 010 011 ⇔ 255	No function Strobe, slow to fast

7Ch

Channel	Function	Value	Percent/Setting
1	Red	000 ⇔ 255	0–100%
2	Orange	000 ⇔ 255	0–100%
3	Green	000 ⇔ 255	0–100%
4	Royal blue	000 ⇔ 255	0–100%
5	Blue	000 ⇔ 255	0–100%
6	Lime	000 ⇔ 255	0–100%
7	Zoom	000 ⇔ 255	Narrow to wide

4Ch

Channel	Function	Value	Percent/Setting
1	Dimmer	000 ⇔ 255	0–100%
2	Color temperature	000 ⇔ 255	Refer to Color Temperature DMX Chart
3	Hue	000 ⇔ 255	-25–25
4	Zoom	000 ⇔ 255	Narrow to wide

1Ch

Channel	Function	Value	Percent/Setting
1	Dimmer	000 ⇔ 255	0–100% (color set through menu)

5. Technical Information

Product Maintenance

To maintain optimum performance and minimize wear, clean this product frequently. Usage and environment are contributing factors in determining the cleaning frequency.

Clean this product at least twice a month. Dust build-up reduces light output performance and can cause overheating. This can lead to reduced light source life and increased mechanical wear.

To clean the product:

1. Unplug the product from power.
2. Wait until the product is at room temperature.
3. Use a vacuum (or dry compressed air) and a soft brush to remove dust collected on the external vents.
4. Clean all transparent surfaces with a mild soap solution, ammonia-free glass cleaner, or isopropyl alcohol.
5. Apply the solution directly to a soft, lint-free cotton cloth or a lens-cleaning tissue.
6. Softly drag any dirt or grime to the outside of the transparent surface.
7. Gently polish the transparent surfaces until they are free of haze and lint.



Always dry the transparent surfaces carefully after cleaning them.

6. Technical Specifications

Dimensions and Weight

Length	Width	Height	Weight
15.80 in (401 mm)	11.22 in (285 mm)	9.51 in (242 mm)	12.79 lb (5.8 kg)

Note: Dimensions in inches rounded to the nearest hundredth.

Power

Power Supply Type	Range	Voltage Selection
Switching (internal)	100 to 240 VAC, 50/60 Hz	Auto-ranging

Parameter	120 V, 60 Hz	208 V, 60 Hz	230 V, 50 Hz
Consumption	129 W	130 W	132 W
Operating Current	1.06 A	0.63 A	0.57 A
Power-linking current (products)	13.6 A (12 products)	13.6 A (21 products)	13.6 A (23 products)

Power I/O	U.S./Canada	Worldwide
Power input connector	Neutrik® powerCON® A	Neutrik® powerCON® A
Power output connector	Neutrik® powerCON® B	Neutrik® powerCON® B
Power cord plug	Edison (U.S.)	Local plug

Light Source

Type	Color	Quantity	Power	Current	Lifespan
LED	Red	4	3-4 W	1 A	50,000 hours
	Orange	10			
	Green	4			
	Royal blue	6			
	Blue	6			
	Lime green	16			

Photometrics

Parameter	Values
Beam Angle	14° to 43°
Field Angle	27° to 68°
Zoom Range	14° to 68°
Illuminance @ 5 m (30°)	939 lux
Illuminance @ 5 m (73°)	183 lux

Thermal

Maximum External Temperature	Cooling System
113 °F (45 °C)	Fan-assisted convection

DMX

I/O Connector	Channel Range
5-pin XLR	1, 4, 6, 7, 9, 13,16, and 19

Ordering

Product Name	Item Code	UPC Number
Ovation F-415VW	03031481	781462218294



UL 1573
CSA C22.2 No. 166
E113093



Returns

To get support or to return a product, contact:

- If you are located in the U.S., contact Chauvet World Headquarters.
- If you are located in the U.K. or Ireland, contact Chauvet Europe Ltd.
- If you are located in Benelux, contact Chauvet Europe BVBA.
- If you are located in France, contact Chauvet France.
- If you are located in Germany, contact Chauvet Germany.
- If you are located in Mexico, contact Chauvet Mexico.
- If you are located in any other country, DO NOT contact Chauvet. Instead, contact your local distributor. See www.chauvetprofessional.com for distributors outside the U.S., U.K., Ireland, Benelux, France, Germany, or Mexico.



If you are located outside the U.S., U.K., Ireland, Benelux, France, Germany, or Mexico, contact your distributor of record and follow their instructions on how to return Chauvet products to them. Visit our website www.chauvetprofessional.com for contact details.

Call the corresponding Chauvet Technical Support office and request a Return Merchandise Authorization (RMA) number before shipping the product. Be prepared to provide the model number, serial number, and a brief description of the cause for the return.

To submit a service request online, go to www.chauvetprofessional.com/service-request.

Send the merchandise prepaid, in its original box, and with its original packing and accessories. Chauvet will not issue call tags.

Clearly label the package with the RMA number. Chauvet will refuse any product returned without an RMA number.



Write the RMA number on a properly affixed label. DO NOT write the RMA number directly on the box.

Before sending the product, clearly write the following information on a piece of paper and place it inside the box:

- Your name
- Your address
- Your phone number
- RMA number
- A brief description of the problem

Be sure to pack the product properly. Any shipping damage resulting from inadequate packaging will be your responsibility. FedEx packing or double-boxing are recommended.



Chauvet reserves the right to use its own discretion to repair or replace returned product(s).

Contact Us

General Information	Technical Support
Chauvet World Headquarters	
Address: 5200 NW 108th Ave. Sunrise, FL 33351 Voice: (954) 577-4455 Fax: (954) 929-5560 Toll Free: (800) 762-1084	Voice: (844) 393-7575 Fax: (954) 756-8015 Email: chauvetcs@chauvetlighting.com Website: www.chauvetprofessional.com
Chauvet Europe Ltd	
Address: Unit 1C Brookhill Road Industrial Estate Pinxton, Nottingham, UK NG16 6NT Voice: +44 (0) 1773 511115 Fax: +44 (0) 1773 511110	Email: UKtech@chauvetlighting.eu Website: www.chauvetprofessional.eu
Chauvet Europe BVBA	
Address: Stokstraat 18 9770 Kruishoutem Belgium Voice: +32 9 388 93 97	Email: BNLtech@chauvetlighting.eu Website: www.chauvetprofessional.eu
Chauvet France	
Address: 3, Rue Ampère 91380 Chilly-Mazarin France Voice: +33 1 78 85 33 59	Email: FRtech@chauvetlighting.fr Website: www.chauvetprofessional.eu
Chauvet Germany	
Address: Bruno-Bürgel-Str. 11 28759 Bremen Germany Voice: +49 421 62 60 20	Email: DEtech@chauvetlighting.de Website: www.chauvetprofessional.eu
Chauvet Mexico	
Address: Av. de las Partidas 34 - 3B (Entrance by Calle 2) Zona Industrial Lerma Lerma, Edo. de México, CP 52000 Voice: +52 (728) 690-2010	Email: servicio@chauvet.com.mx Website: www.chauvetprofessional.mx

Visit the applicable website above to verify our contact information and instructions to request support. Outside the U.S., U.K., Ireland, France, Germany, Benelux, or Mexico, contact the dealer of record.